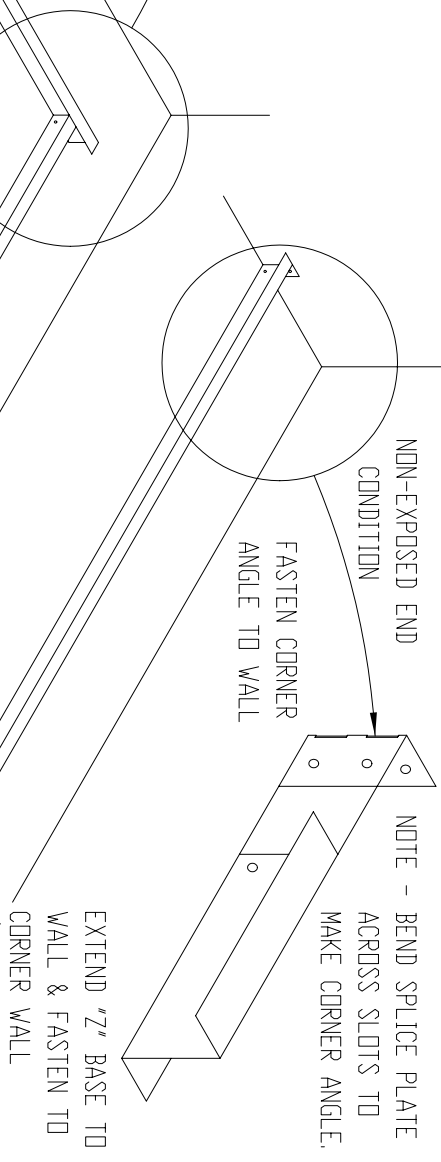
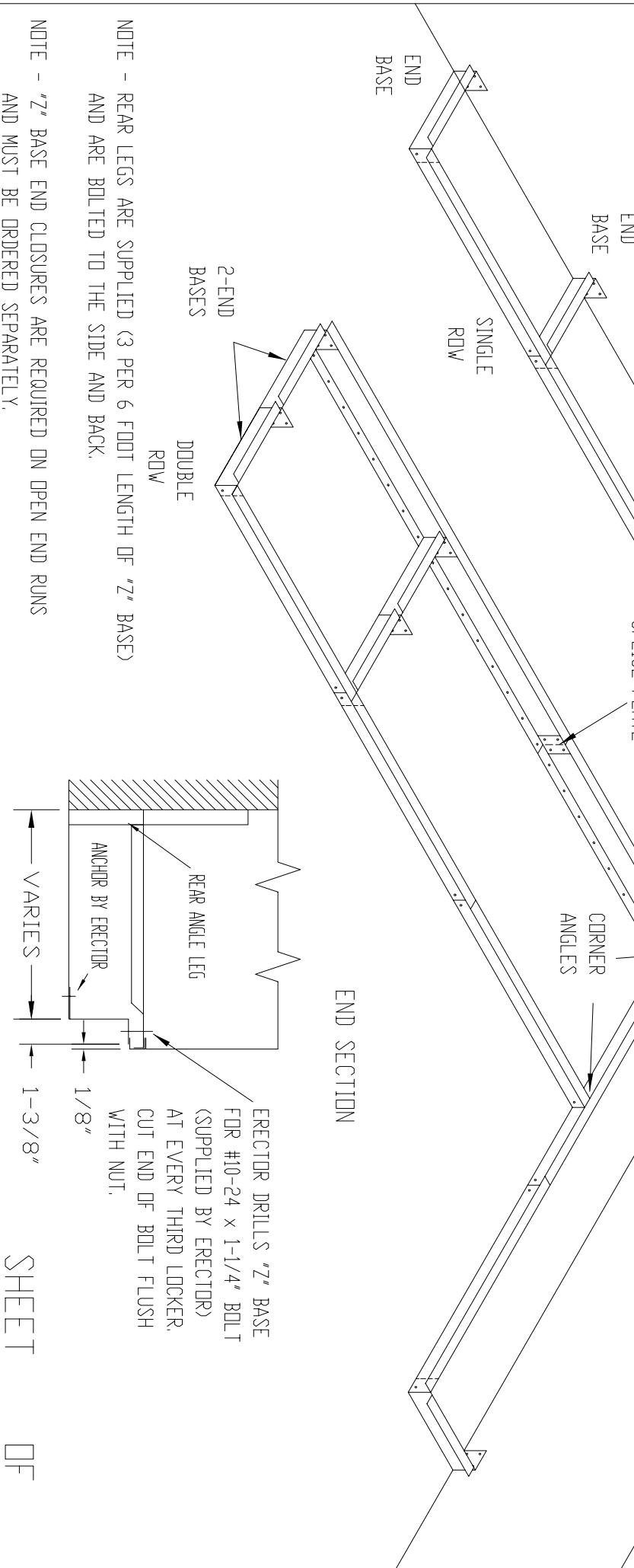


NOTE - USE AN END BASE AT EVERY OTHER JOINT BOTH SINGLE & DOUBLE ROW TO PROVIDE STABILIZATION FOR THE BASE SYSTEM.

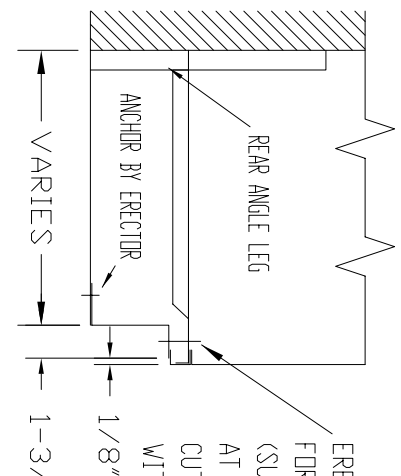
NOTE - "Z" BASES ARE 72" LONG, ERECTOR TO CUT TO LENGTH IN FIELD.



EXTEND "Z" BASE TO WALL & FASTEN TO CORNER WALL

NOTE - REAR LEGS ARE SUPPLIED (3 PER 6 FOOT LENGTH OF "Z" BASE) AND ARE BOLTED TO THE SIDE AND BACK.

NOTE - "Z" BASE END CLOSURES ARE REQUIRED ON OPEN END RUNS AND MUST BE ORDERED SEPARATELY.



ERECTOR DRILLS "Z" BASE FOR #10-24 X 1-1/4" BOLT (SUPPLIED BY ERECTOR) AT EVERY THIRD LOCKER. CUT END OF BOLT FLUSH WITH NUT.

SHEET OF



CONTINUOUS "Z" BASE